

[TopPage](#)>>[Search Result](#)>>7306BDB

# Angular Contact Ball Bearings

Bearing No. : **NACHI 7306BDB**

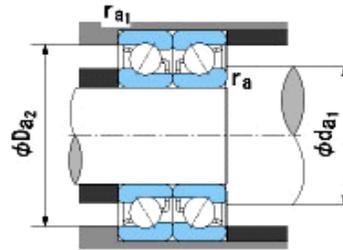
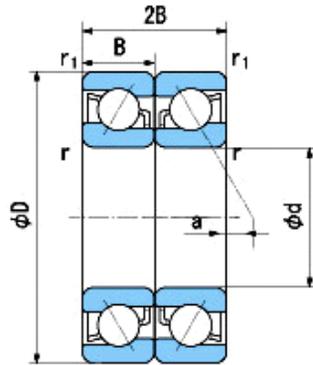
■ Bearing Type

■ Clearance

■ Tolerance Class

**Dimensions**

d = 30<sup>0</sup><sub>-0.010</sub>  
 D = 72<sup>0</sup><sub>-0.013</sub>  
 B = 19<sup>0</sup><sub>0.000</sub>  
 r = 1.1~2  
 (Radial Direction)  
 r = 1.1~3.5  
 (Axial Direction)  
 r1 = 0.6~1  
 (Radial Direction)  
 r1 = 0.6~2  
 (Axial Direction)  
 a = 11.9



**Dimensions**

da1(min) = 37  
 da2(min) = 35  
 Da1(max) = 65  
 Da2(max) = 67  
 ra(max) = 1  
 ra1(max) = 0.6  
 Mass = 0.72 kg

Basic Dynamic Load Rating Cr :	<b>52,000</b> N
Basic Static Load Rating Cor :	<b>42,000</b> N
Limiting Speed ;	
Grease Lubrication :	<b>6,100</b> min <sup>-1</sup>
Oil Lubrication :	<b>8,500</b> min <sup>-1</sup>

	INNER RING	OUTER RING
O.D.Surface Runout with Side :		-
Axial Runout with Bore :	-	
Axial Runout with Raceway :	-	
Width Variation :	<b>0.020</b>	<b>0.020</b>
Radial Runout :	<b>0.013</b>	<b>0.025</b>